

# F11 Series

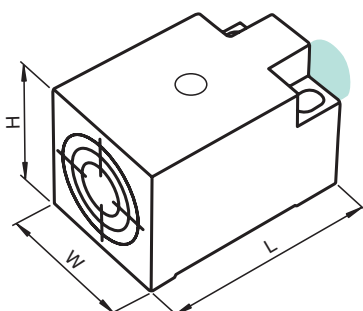


### Standard Technical Data

Type of installation	Non-flush
Detection range	15 mm
Output type	3-wire
Switching function	Normally-open (NO)
Voltage type	DC
Switching frequency	150 Hz
Operating voltage (min)	10 V
Operating voltage (max)	30 V
Housing length L	38.5 mm
Housing width W	30 mm
Housing height H	30.5 mm
CSA	■
UL	■

For detailed data and description, see the datasheet. Further products can be found online at [www.pepperl-fuchs.com](http://www.pepperl-fuchs.com).

Model number	Output type	Connection type	Cable length [mm]	Cable material
NBN15-F11-E0	NPN	Fixed cable	2000	PVC
NBN15-F11-E0-V1	NPN	M12 connector plug		
NBN15-F11-E2	PNP	Fixed cable	2000	PVC
NBN15-F11-E2-V1	PNP	M12 connector plug		



### Accessories

V1-G-2M-PUR	Single-ended female cordset, M12, 4-pin, PUR cable
V1-W-2M-PUR	Single-ended female cordset, M12, 4-pin, PUR cable