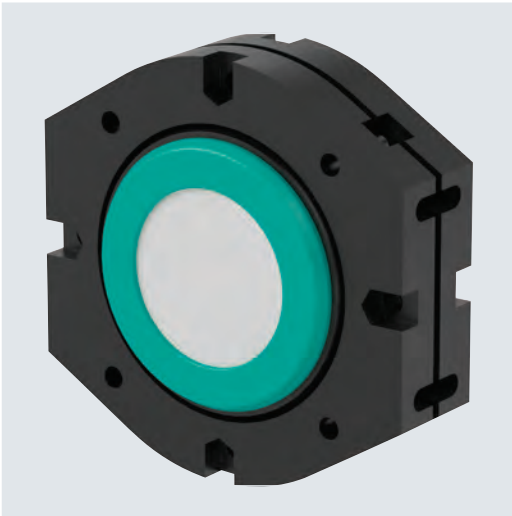


# F260 Series

## Diffuse Mode Sensor



### Standard Technical Data

<b>Design</b>	Cuboid shape
<b>Detection range</b>	10000 mm
<b>Dead band</b>	800 mm
<b>Voltage type</b>	DC
<b>Operating voltage (min)</b>	15 V
<b>Operating voltage (max)</b>	30 V
<b>Connection type</b>	Terminal compartment
<b>Housing length L</b>	112 mm
<b>Housing diameter D</b>	160 mm
<b>CSA</b>	■
<b>UL</b>	■

For detailed data and description, see the datasheet. Further products can be found online at [www.pepperl-fuchs.com](http://www.pepperl-fuchs.com).

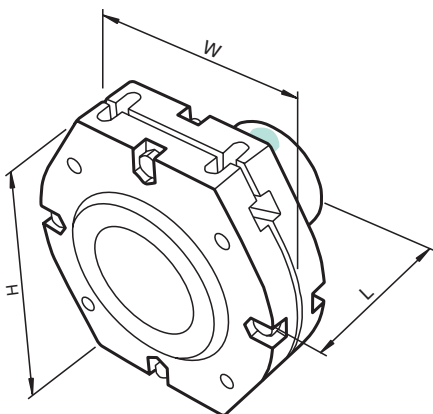
Model number	Output type	Switching function
<b>UC10000-F260-IE8R2</b>	2 * PNP, analog current output	Normally-open (NO)
<b>UC10000-F260-IE9R2</b>	2 * PNP, analog current output	Normally-closed (NC)
<b>UC10000-F260-UE8R2</b>	2 * PNP, analog voltage output	Normally-open (NO)
<b>UC10000-F260-UE9R2</b>	2 * PNP, analog voltage output	Normally-closed (NC)

### Highlights

- Rugged design ensures highest level of availability in heavy-duty applications
- Detection range of up to 10 m enables reliable long-range detection
- Simple adjustment via potentiometer and user-friendly software
- One analog output and two switching outputs in the sensor allow application-specific measured value output

### Brief Description

Heavy-duty applications push many sensors past their limits—but not the F260 series. Whether facing shocks and vibrations, like those in construction machinery applications, excavators, and cranes, or the dust of a gravel works or cement silo, these challenges are no problem for this extra-robust ultrasonic diffuse mode sensor. The sensor can be parameterized via the software, and the switching points can be configured using the potentiometer. The extra-long detection range of up to 10 m is ideal for outdoor use in bunkers and silos, and the F260 is perfect for collision protection of crane booms.



### Accessories

<b>3RX4000-PF</b>	PC interface
<b>V1-M20-80</b>	Receptacle, M12/M20; plastic version
<b>V15S-G-2M-PVC</b>	Single-ended male cordset, M12, 5-pin, PVC cable