

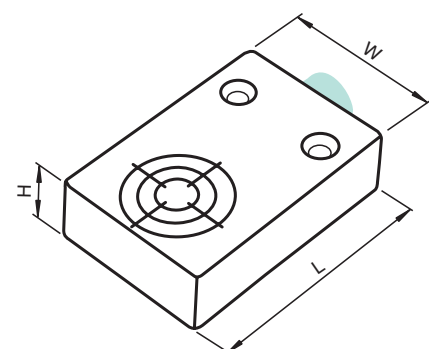
# F33/F33M Series



Standard Technical Data	
Type of installation	Flush
Voltage type	DC
Operating voltage (min)	10 V
Connection type	Fixed cable
Housing length L	10 mm
Housing width W	50 mm
Housing height H	25 mm
UL	■

For detailed data and description, see the datasheet. Further products can be found online at [www.pepperl-fuchs.com](http://www.pepperl-fuchs.com).

Model number	Detection range [mm]	Output type	Output type	Switching function	Switching Frequency [Hz]	UB (max)	Cable length [mm]	Cable material	CCC	CSA
NBB5-F33-A0	5	4-wire	NPN	Complementary	500	30	2000	PVC		■
NBB5-F33-A2	5	4-wire	PNP	Complementary	500	30	2000	PVC		■
NBB5-F33-A2-5M	5	4-wire	PNP	Complementary	500	30	5000	PVC		■
NBB5-F33-E0	5	3-wire	NPN	Normally-open (NO)	500	30	2000	PVC		■
NBB5-F33-E2	5	3-wire	PNP	Normally-open (NO)	500	30	2000	PVC		■
NBB5-F33M-A0	5	4-wire	NPN	Complementary	500	30	2000	PVC		■
NBB5-F33M-A2	5	4-wire	PNP	Complementary	500	30	2000	PVC		■
NBB5-F33M-E0	5	3-wire	NPN	Normally-open (NO)	500	30	2000	PVC		■
NBB5-F33M-E2	5	3-wire	PNP	Normally-open (NO)	500	30	2000	PVC		■
NBB5-F33M-E2-5M	5	3-wire	PNP	Normally-open (NO)	500	30	5000	PVC		■
NBB8-F33-E0	8	3-wire	NPN	Normally-open (NO)	350	60	2000	PVC	■	■
NBB8-F33-E1	8	3-wire	NPN	Normally-closed (NC)	350	60	2000	PVC	■	■
NBB8-F33-E2	8	3-wire	PNP	Normally-open (NO)	350	60	2000	PVC	■	■
NBB8-F33-E2-0,2M-V1	8	3-wire	PNP	Normally-open (NO)	350	30		PVC		
NBB8-F33-E3	8	3-wire	PNP	Normally-closed (NC)	350	60	2000	PVC	■	■
NBB8-F33-E3-0,2M-V1	8	3-wire	PNP	Normally-closed (NC)	350	30				



Accessories	
V1-G-2M-PUR	Single-ended female cordset, M12, 4-pin, PUR cable
V1-W-2M-PUR	Single-ended female cordset, M12, 4-pin, PUR cable