

R101 Series Thru-Beam Sensors

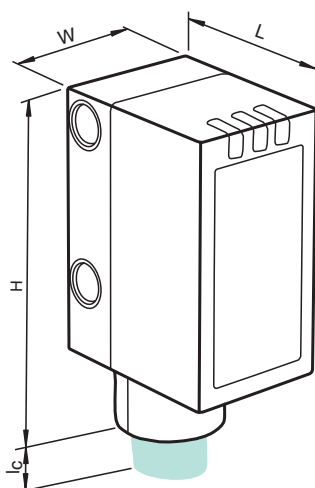


Standard Technical Data

Function principle	Thru-beam sensor
Interface	IO-Link
Operating elements	Potentiometer
Voltage type	DC
Operating voltage (min)	10 V
Operating voltage (max)	30 V
Housing length L	18.3 mm
Housing width W	13.9 mm
UL	■

For detailed data and description, see the datasheet. Further products can be found online at www.pepperl-fuchs.com.

Model number	Detection range [mm]	Light type	Output type	Connection type	Height H
OBE12M-R101-S2EP-IO	12000	Red LED	2 x push-pull	Fixed cable	33.8
OBE12M-R101-S2EP-IO-0,3M-V1	12000	Red LED	2 x push-pull	Fixed cable with M12 plug	33.8
OBE12M-R101-S2EP-IO-0,3M-V31	12000	Red LED	2 x push-pull	Fixed cable with M8 plug	33.8
OBE12M-R101-S2EP-IO-V31	12000	Red LED	2 x push-pull	M8 connector plug	41.4
OBE12M-R101-SEP-IO-0,3M-V3	12000	Red LED	1 x push-pull	Fixed cable with M8 plug	33.8
OBE12M-R101-SEP-IO-V3	12000	Red LED	1 x push-pull	M8 connector plug	33.8
OBE20M-R101-S2EP-IO-0,3M-V1-L	20000	Red laser diode	2 x push-pull	Fixed cable with M12 plug	33.8
OBE20M-R101-S2EP-IO-0,3M-V31-L	20000	Red laser diode	2 x push-pull	Fixed cable with M8 plug	33.8
OBE20M-R101-S2EP-IO-IR	20000	Infrared LED	2 x push-pull	Fixed cable	33.8
OBE20M-R101-S2EP-IO-L	20000	Red laser diode	2 x push-pull	Fixed cable	33.8
OBE20M-R101-S2EP-IO-V31-IR	20000	Infrared LED	2 x push-pull	M8 connector plug	41.4
OBE20M-R101-S2EP-IO-V31-L	20000	Red laser diode	2 x push-pull	M8 connector plug	41.4
OBE20M-R101-SEP-IO-0,3M-V3-L	20000	Red laser diode	1 x push-pull	Fixed cable with M8 plug	33.8
OBE20M-R101-SEP-IO-V3-L	20000	Red laser diode	1 x push-pull	M8 connector plug	33.8



Accessories

IO-Link-Master02-USB	IO-Link master, supply via USB port or separate power supply, LED indicators, M12 plug for sensor connection
OMH-4.1	Mounting clamp
OMH-R101	Mounting clamp
OMH-R101-Front	Mounting clamp
V1-G-2M-PUR	Single-ended female cordset, M12, 4-pin, PUR cable
V3-GM-2M-PUR	Single-ended female cordset, M8, 3-pin, PUR cable
V31-GM-2M-PUR	Single-ended female cordset, M8, 4-pin, PUR cable
V31-WM-2M-PUR	Single-ended female cordset, M8, 4-pin, PUR cable