

R103 Series Thru-Beam Sensors

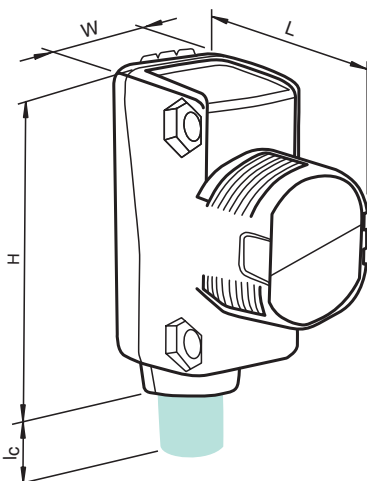


Standard Technical Data

Function principle	Thru-beam sensor
Interface	IO-Link
Operating elements	Potentiometer
Voltage type	DC
Operating voltage (min)	10 V
Operating voltage (max)	30 V
Housing length L	26.7 mm
Housing width W	15 mm
UL	■

For detailed data and description, see the datasheet. Further products can be found online at www.pepperl-fuchs.com.

Model number	Detection range [mm]	Light type	Output type	Connection type	Height H
OBE10M-R103-S2EP-IO	10000	Red LED	2 x push-pull	Fixed cable	36.5
OBE10M-R103-S2EP-IO-0,3M-V1	10000	Red LED	2 x push-pull	Fixed cable with M12 plug	36.5
OBE10M-R103-S2EP-IO-0,3M-V31	10000	Red LED	2 x push-pull	Fixed cable with M8 plug	36.5
OBE10M-R103-S2EP-IO-V31	10000	Red LED	2 x push-pull	M8 connector plug	43.9
OBE10M-R103-SEP-IO-0,3M-V3	10000	Red LED	1 x push-pull	Fixed cable with M8 plug	36.5
OBE10M-R103-SEP-IO-V3	10000	Red LED	1 x push-pull	M8 connector plug	43.9
OBE20M-R103-S2EP-IO-0,3M-V1-L	20000	Red laser diode	2 x push-pull	Fixed cable with M12 plug	36.5
OBE20M-R103-S2EP-IO-0,3M-V31-L	20000	Red laser diode	2 x push-pull	Fixed cable with M8 plug	36.5
OBE20M-R103-S2EP-IO-L	20000	Red laser diode	2 x push-pull	Fixed cable	36.5
OBE20M-R103-S2EP-IO-V31-L	20000	Red laser diode	2 x push-pull	M8 connector plug	43.9
OBE20M-R103-SEP-IO-0,3M-V3-L	20000	Red laser diode	1 x push-pull	Fixed cable with M8 plug	36.5
OBE20M-R103-SEP-IO-V3-L	20000	Red laser diode	1 x push-pull	M8 connector plug	43.9



Accessories

IO-Link-Master02-USB	IO-Link master, supply via USB port or separate power supply, LED indicators, M12 plug for sensor connection
OMH-ML100-03	Mounting aid for circular profile \varnothing 12 mm or flat profile 1.5 mm ... 3 mm
OMH-ML100-031	Mounting aid for circular profile \varnothing 10 mm ... 14 mm or flat profile 1 mm ... 5 mm
OMH-ML100-09	Mounting aid for circular profile \varnothing 12 mm or flat profile 1.5 mm ... 3 mm
OMH-R10X-04	Mounting bracket
OMH-R10X-10	Mounting bracket
V31-GM-2M-PUR	Single-ended female cordset, M8, 4-pin, PUR cable
V31-WM-2M-PUR	Single-ended female cordset, M8, 4-pin, PUR cable