

# R103 Series Retroreflective Sensors

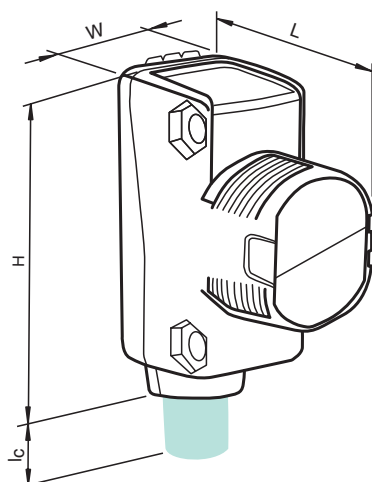


## Standard Technical Data

Interface	IO-Link
Voltage type	DC
Operating voltage (min)	10 V
Operating voltage (max)	30 V
Housing length L	26.7 mm
Housing width W	15 mm
UL	

For detailed data and description, see the datasheet. Further products can be found online at [www.pepperl-fuchs.com](http://www.pepperl-fuchs.com).

Model number	Function principle	Detection range [mm]	Light type	Operating elements	Output type	Connection type	Height H
OBG4000-R103-2EP-IO	For clear object detection	3500	Red LED	Potentiometer, push-button	2 x push-pull	Fixed cable	36.5
OBG4000-R103-2EP-IO-0,3M-V1	For clear object detection	3500	Red LED	Potentiometer, push-button	2 x push-pull	Fixed cable with M12 plug	36.5
OBG4000-R103-2EP-IO-0,3M-V31	For clear object detection	3500	Red LED	Potentiometer, push-button	2 x push-pull	Fixed cable with M8 plug	36.5
OBG4000-R103-2EP-IO-V31	For clear object detection	3500	Red LED	Potentiometer, push-button	2 x push-pull	M8 connector plug	43.9
OBG4000-R103-EP-IO-0,3M-V3	For clear object detection	3500	Red LED	Potentiometer, push-button	1 x push-pull	Fixed cable with M8 plug	36.5
OBG4000-R103-EP-IO-V3	For clear object detection	3500	Red LED	Potentiometer, push-button	1 x push-pull	M8 connector plug	43.9
OBR6000-R103-EP-IO-V3	With polarization filter	6000	Red LED	Potentiometer	1 x push-pull	M8 connector plug	43.9
OBR6000-R103-2EP-IO	With polarization filter	6000	Red LED	Potentiometer	2 x push-pull	Fixed cable	36.5
OBR6000-R103-2EP-IO-0,3M-V1	With polarization filter	6000	Red LED	Potentiometer	2 x push-pull	Fixed cable with M12 plug	36.5
OBR6000-R103-2EP-IO-0,3M-V31	With polarization filter	6000	Red LED	Potentiometer	2 x push-pull	Fixed cable with M8 plug	36.5
OBR6000-R103-2EP-IO-V31	With polarization filter	6000	Red LED	Potentiometer	2 x push-pull	M8 connector plug	43.9
OBR6000-R103-EP-IO-0,3M-V3	With polarization filter	6000	Red LED	Potentiometer	1 x push-pull	Fixed cable with M8 plug	36.5
OBR12M-R103-2EP-IO-0,3M-V1-L	With polarization filter	12000	Red laser diode	Potentiometer	2 x push-pull	Fixed cable with M12 plug	36.5
OBR12M-R103-2EP-IO-0,3M-V31-L	With polarization filter	12000	Red laser diode	Potentiometer	2 x push-pull	Fixed cable with M8 plug	36.5
OBR12M-R103-2EP-IO-L	With polarization filter	12000	Red laser diode	Potentiometer	2 x push-pull	Fixed cable	36.5
OBR12M-R103-2EP-IO-V31-L	With polarization filter	12000	Red laser diode	Potentiometer	2 x push-pull	M8 connector plug	43.9
OBR12M-R103-EP-IO-0,3M-V3-L	With polarization filter	12000	Red laser diode	Potentiometer	1 x push-pull	Fixed cable with M8 plug	36.5
OBR12M-R103-EP-IO-V3-L	With polarization filter	12000	Red laser diode	Potentiometer	1 x push-pull	M8 connector plug	43.9



## Accessories

IO-Link-Master02-USB	IO-Link master, power supply via USB port
OMH-ML100-031	Mounting aid for circular profile $\varnothing$ 10 mm ... 14 mm or flat profile 1 mm ... 5 mm
OMH-ML100-09	Mounting aid for circular profile $\varnothing$ 12 mm or flat profile 1.5 mm ... 3 mm
OMH-R10X-04	Mounting bracket
OMH-R10X-10	Mounting bracket
REF-H33	Reflector with screw fixing
REF-MVR10	Rectangular reflector with microstructure, 60 mm x 19 mm, mounting holes
REF-ORR50G-2	Ambient temperature: 0 °C ... 50 °C (32 °F ... 122 °F)
V3-WM-2M-PUR	Single-ended female cordset, M8, 3-pin, PUR cable
V31-GM-2M-PUR	Single-ended female cordset, M8, 4-pin, PUR cable