

R2000 Series



Standard Technical Data

Function principle	2-D LIDAR sensor
Operating elements	Push-button
Voltage type	DC
Operating voltage (min)	10 V
Operating voltage (max)	30 V
Connection type	M12 connector plug
Housing length L	106 mm
Housing width W	106 mm
Housing height H	116.5 mm
UL	■

For detailed data and description, see the datasheet. Further products can be found online at www.pepperl-fuchs.com.

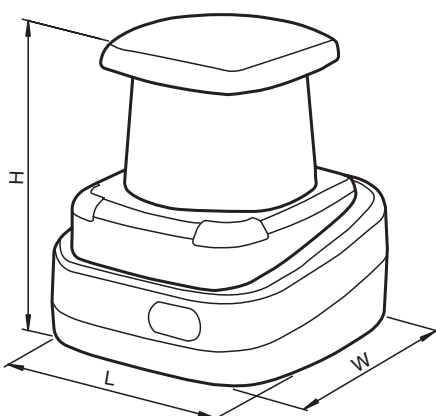
Model number	Detection range [mm]	Light type	Repeat rate [kHz]	Resolution
OBD10M-R2000-4EP-V1V17	10000	Red laser diode	54	
OMD10M-R2000-B23-V1V1D	10000	Red laser diode	250	1 mm
OMD12M-R2000-B23-V1V1D-HD-1L	12000	Infrared laser diode	84	1 mm
OBD30M-R2000-4EP-V1V17-1L	30000	Infrared laser diode	54	
OBD30M-R2000-4EP-V1V17-T-1L	30000	Infrared laser diode	54	
OMD30M-R2000-B23-V1V1D-1L	30000	Infrared laser diode	250	1 mm
OMD30M-R2000-B23-V1V1D-HD-1L	30000	Infrared laser diode	84	1 mm
OMD30M-R2000-B23-V1V1D-T-1L	30000	Infrared laser diode	250	1 mm
OMD60M-R2000-B23-V1V1D-1L	60000	Infrared laser diode	250	1 mm
OMD60M-R2000-B23-V1V1D-T-1L	60000	Infrared laser diode	250	1 mm

Highlights

- Innovative Pulse Ranging Technology (PRT) ensures reliable and clear measurements
- Sharp light spot for small-object detection and precise edge detection
- All-round visibility with 360° measuring angle
- Compact design for simple mechanical integration
- Interactive wrap-around display facilitates commissioning

Brief Description

The R2000 series offers a wide range of unique functionalities that make object detection safer than ever before, even under the most challenging of conditions. A small light spot combined with a high angular resolution makes it possible to detect even the smallest of objects. The all-round visibility and measuring angle of 360° eliminate the need for multiple sensors. The R2000 series is very compact, for straightforward and space-saving integration into the application. The interactive display makes it possible to show text and graphic messages. Basic settings can be configured directly on the device.



Accessories

Funktionserdung	Functional grounding for LS610/LS611/VDM100 series
MH-R2000	Mounting aid for R2000 series sensors, quick-lock and adjustment device
Schutzkappe	M12 protective cap set (plug + socket) for LS610/LS611 series
V1-G-5M-PUR	Single-ended female cordset, M12, 4-pin, PUR cable
V1-G-BK5M-PUR-U	Single-ended female cordset, M12, 4-pin, PUR cable
V1SD-G-2M-PUR-ABG-V45-G	Cordset, M12 to RJ-45, PUR cable, 4-pin, CAT5e
V1SD-G-5M-PUR-ABG-V45-G	Cordset, M12 to RJ-45, PUR cable, 4-pin, CAT5e
V1SD-G-ABG-PG9	Single-ended male cordset, M12, 4-pin, D-coded, shielded, field-attachable