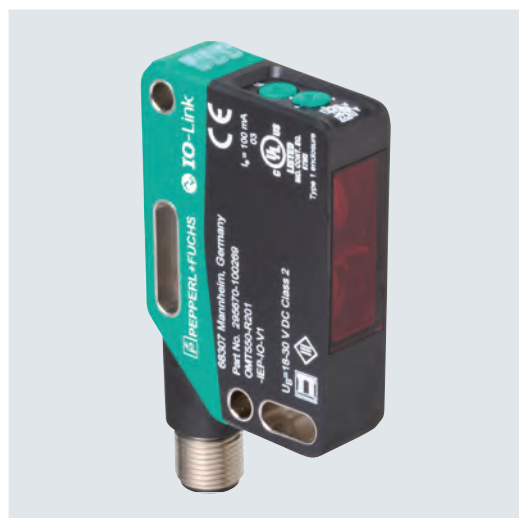


R201 Series



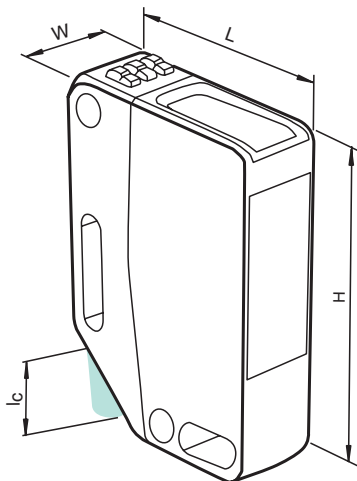
Standard Technical Data

Function principle	Distance sensor
Interface	IO-Link
Operating elements	Potentiometer, push-button
Voltage type	DC
Operating voltage (max)	30 V
Housing length L	41.7 mm
Housing width W	15 mm
Housing height H	61.7 mm
UL	■

For detailed data and description, see the datasheet. Further products can be found online at www.pepperl-fuchs.com.

Model number	Detection range [mm]	Light type	Output type	UB (min)	Connection type
OMT300-R201-2EP-IO	300	Red LED	2 x push-pull	10	Fixed cable
OMT300-R201-2EP-IO-L	300	Red laser diode	2 x push-pull	10	Fixed cable
OMT300-R201-2EP-IO-V1	300	Red LED	2 x push-pull	10	M12 connector plug
OMT300-R201-2EP-IO-0,3M-V1	300	Red LED	2 x push-pull	10	Fixed cable with M12 plug
OMT300-R201-2EP-IO-V31	300	Red LED	2 x push-pull	10	M8 connector plug
OMT300-R201-2EP-IO-0,3M-V31	300	Red LED	2 x push-pull	10	Fixed cable with M8 plug
OMT300-R201-EP-IO-V3	300	Red LED	1 x push-pull	10	M8 connector plug
OMT300-R201-EP-IO-0,3M-V3	300	Red LED	1 x push-pull	10	Fixed cable with M8 plug
OMT300-R201-IEP-IO-V1	300	Red LED	1 x push-pull, 1 x analog	18	M12 connector plug
OMT300-R201-IEP-IO-0,3M-V1	300	Red LED	1 x push-pull, 1 x analog	18	Fixed cable with M12 plug
OMT300-R201-IEP-IO-V31	300	Red LED	1 x push-pull, 1 x analog	18	M8 connector plug
OMT300-R201-IEP-IO-0,3M-V31	300	Red LED	1 x push-pull, 1 x analog	18	Fixed cable with M8 plug
OMT300-R201-UEP-IO-V1	300	Red LED	1 x push-pull, 1 x analog	18	M12 connector plug
OMT300-R201-UEP-IO-0,3M-V1	300	Red LED	1 x push-pull, 1 x analog	18	Fixed cable with M12 plug
OMT300-R201-UEP-IO-V31	300	Red LED	1 x push-pull, 1 x analog	18	M8 connector plug
OMT300-R201-UEP-IO-0,3M-V31	300	Red LED	1 x push-pull, 1 x analog	18	Fixed cable with M8 plug
OMT300-R201-2EP-IO-V1-L	300	Red laser diode	2 x push-pull	10	M12 connector plug
OMT300-R201-2EP-IO-0,3M-V1-L	300	Red laser diode	2 x push-pull	10	Fixed cable with M12 plug
OMT300-R201-2EP-IO-0,3M-V31-L	300	Red laser diode	2 x push-pull	10	Fixed cable with M8 plug
OMT300-R201-2EP-IO-V31-L	300	Red laser diode	2 x push-pull	10	M8 connector plug
OMT300-R201-EP-IO-0,3M-V3-L	300	Red laser diode	1 x push-pull	10	Fixed cable with M8 plug
OMT300-R201-EP-IO-V3-L	300	Red laser diode	1 x push-pull	10	M8 connector plug
OMT300-R201-IEP-IO-0,3M-V1-L	300	Red laser diode	1 x push-pull, 1 x analog	18	Fixed cable with M12 plug
OMT300-R201-IEP-IO-0,3M-V31-L	300	Red laser diode	1 x push-pull, 1 x analog	18	Fixed cable with M8 plug
OMT300-R201-IEP-IO-V1-L	300	Red laser diode	1 x push-pull, 1 x analog	18	M12 connector plug
OMT300-R201-IEP-IO-V31-L	300	Red laser diode	1 x push-pull, 1 x analog	18	M8 connector plug
OMT300-R201-UEP-IO-0,3M-V1-L	300	Red laser diode	1 x push-pull, 1 x analog	18	Fixed cable with M12 plug
OMT300-R201-UEP-IO-0,3M-V31-L	300	Red laser diode	1 x push-pull, 1 x analog	18	Fixed cable with M8 plug
OMT300-R201-UEP-IO-V1-L	300	Red laser diode	1 x push-pull, 1 x analog	18	M12 connector plug
OMT300-R201-UEP-IO-V31-L	300	Red laser diode	1 x push-pull, 1 x analog	18	M8 connector plug
OMT550-R201-2EP-IO	550	Red LED	2 x push-pull	10	Fixed cable
OMT550-R201-2EP-IO-V1	550	Red LED	2 x push-pull	10	M12 connector plug
OMT550-R201-2EP-IO-0,3M-V1	550	Red LED	2 x push-pull	10	Fixed cable with M12 plug
OMT550-R201-2EP-IO-V31	550	Red LED	2 x push-pull	10	M8 connector plug
OMT550-R201-2EP-IO-0,3M-V31	550	Red LED	2 x push-pull	10	Fixed cable with M8 plug
OMT550-R201-EP-IO-V3	550	Red LED	1 x push-pull	10	M8 connector plug
OMT550-R201-EP-IO-0,3M-V3	550	Red LED	1 x push-pull	10	Fixed cable with M8 plug
OMT550-R201-IEP-IO-V1	550	Red LED	1 x push-pull, 1 x analog	18	M12 connector plug
OMT550-R201-IEP-IO-0,3M-V1	550	Red LED	1 x push-pull, 1 x analog	18	Fixed cable with M12 plug
OMT550-R201-IEP-IO-V31	550	Red LED	1 x push-pull, 1 x analog	18	M8 connector plug

Model number	Detection range [mm]	Light type	Output type	UB (min)	Connection type
OMT550-R201-IEP-IO-0,3M-V31	550	Red LED	1 x push-pull, 1 x analog	18	Fixed cable with M8 plug
OMT550-R201-UEP-IO-V1	550	Red LED	1 x push-pull, 1 x analog	18	M12 connector plug
OMT550-R201-UEP-IO-0,3M-V1	550	Red LED	1 x push-pull, 1 x analog	18	Fixed cable with M12 plug
OMT550-R201-UEP-IO-V31	550	Red LED	1 x push-pull, 1 x analog	18	M8 connector plug
OMT550-R201-UEP-IO-0,3M-V31	550	Red LED	1 x push-pull, 1 x analog	18	Fixed cable with M8 plug
OMT600-R201-2EP-IO-0,3M-V1-L	600	Red laser diode	2 x push-pull	10	Fixed cable with M12 plug
OMT600-R201-2EP-IO-0,3M-V31-L	600	Red laser diode	2 x push-pull	10	Fixed cable with M8 plug
OMT600-R201-2EP-IO-L	600	Red laser diode	2 x push-pull	10	Fixed cable
OMT600-R201-2EP-IO-V1-L	600	Red laser diode	2 x push-pull	10	M12 connector plug
OMT600-R201-2EP-IO-V31-L	600	Red laser diode	2 x push-pull	10	M8 connector plug
OMT600-R201-EP-IO-0,3M-V3-L	600	Red laser diode	1 x push-pull	10	Fixed cable with M8 plug
OMT600-R201-EP-IO-V3-L	600	Red laser diode	1 x push-pull	10	M8 connector plug
OMT600-R201-IEP-IO-0,3M-V1-L	600	Red laser diode	1 x push-pull, 1 x analog	18	Fixed cable with M12 plug
OMT600-R201-IEP-IO-0,3M-V31-L	600	Red laser diode	1 x push-pull, 1 x analog	18	Fixed cable with M8 plug
OMT600-R201-IEP-IO-V1-L	600	Red laser diode	1 x push-pull, 1 x analog	18	M12 connector plug
OMT600-R201-IEP-IO-V31-L	600	Red laser diode	1 x push-pull, 1 x analog	18	M8 connector plug
OMT600-R201-UEP-IO-0,3M-V1-L	600	Red laser diode	1 x push-pull, 1 x analog	18	Fixed cable with M12 plug
OMT600-R201-UEP-IO-0,3M-V31-L	600	Red laser diode	1 x push-pull, 1 x analog	18	Fixed cable with M8 plug
OMT600-R201-UEP-IO-V1-L	600	Red laser diode	1 x push-pull, 1 x analog	18	M12 connector plug
OMT600-R201-UEP-IO-V31-L	600	Red laser diode	1 x push-pull, 1 x analog	18	M8 connector plug



Accessories	
IO-Link-Master02-USB	IO-Link master, supply via USB port or separate power supply, LED indicators, M12 plug for sensor connection
OMH-R20x-Quick-Mount	Quick-mounting aid
OMH-RL31-02	Narrow mounting bracket
OMH-RL31-03	Narrow mounting bracket
OMH-RL31-04	Mounting aid for circular profiles \varnothing 12 mm or flat profiles 1.5 mm ... 3 mm
OMH-RL31-07	Mounting bracket complete with adjustment component
V1-G-2M-PUR	Single-ended female cordset, M12, 4-pin, PUR cable
V1-W-2M-PUR	Single-ended female cordset, M12, 4-pin, PUR cable
V3-GM-2M-PUR	Single-ended female cordset, M8, 3-pin, PUR cable
V31-GM-2M-PUR	Single-ended female cordset, M8, 4-pin, PUR cable