

Sensors for Valve Position Detection - F25 Series



Standard Technical Data	
Special features	Double sensor
Type of installation	Flush mountable
Voltage type	DC
Operating voltage (max)	30 V
Housing width W	52 mm
UL	■

For detailed data and description, see the datasheet. Further products can be found online at www.pepperl-fuchs.com.

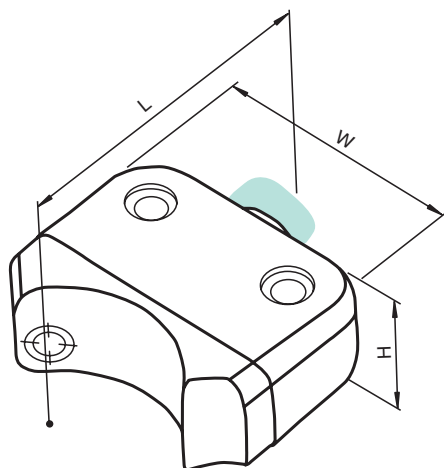
Model number	Detection range [mm]	Output type	Output type	Switching function	Switching frequency [Hz]	UB (min)	Connection type	Length L	Height H	CSA	UL
NBN3-F25-E8-5M	3	3-wire	PNP	Normally-open (NO)	500	10	Fixed cable	52	20	■	■
NBN3-F25-E9-V1	3	3-wire	PNP	Normally-closed (NC)	500	10	M12 connector plug	52	20	■	■
NBN3-F25F-E8-V1	3	3-wire	PNP	Normally-open (NO)	500	10	M12 connector plug	45	20	■	■
NBN3-F25L-E2-V1	3	3-wire	PNP	Normally-open (NO)	500	10	M12 connector plug	52	20	■	■
NBN3-F25R-E3-V1	3	3-wire	PNP	Normally-closed (NC)	500	10	M12 connector plug	52	20	■	■
NBN4-F25-2Z4L	4	2-wire	2-wire	Normally-open (NO)	500	5	Fixed cable	52	20		■
NBN4-F25-2Z4L-0,14M	4	2-wire	2-wire	Normally-open (NO)	500	5	Fixed cable	52	20		■
NBN4-F25-2Z4L-5M	4	2-wire	2-wire	Normally-open (NO)	500	5	Fixed cable	52	20		■
NBN4-F25-2Z4L-V1	4	2-wire	2-wire	Normally-open (NO)	500	5	M12 connector plug	52	20		■
NBN4-F25-E8	4	3-wire	PNP	Normally-open (NO)	1000	10	Fixed cable	52	20		■
NBN4-F25-E8-0,14M	4	3-wire	PNP	Normally-open (NO)	1000	10	Fixed cable	52	20		■
NBN4-F25-E8-V1	4	3-wire	PNP	Normally-open (NO)	1000	10	M12 connector plug	52	20		■
NBN4-F25K-2E2	4	3-wire	PNP	Normally-open (NO)	1000	10	Terminal compartment	69	20		■
NBN4-F25K-2Z4L	4	2-wire	2-wire	Normally-open (NO)	500	5	Terminal compartment	69	37.5		■
NBN4-F25K-E8	4	3-wire	PNP	Normally-open (NO)	1000	10	Terminal compartment	69	37.5		■

Highlights

- Direct assembly on standard drives

Brief Description

The F25/F25K series is available as a cable, plug, or terminal compartment version and combines the two sensor elements in the smallest possible space. This makes them perfect for small basic applications, such as manual valves in indoor areas.



Accessories	
BT32XAS	Activator for F25 series
BT33	Activator for F25 series
BT34	Activator for F25 series
BT43-RG-01	Activator for F25 series including protective cover and mounting base
V1-G-2M-PUR	Single-ended female cordset, M12, 4-pin, PUR cable
V1-W-2M-PUR	Single-ended female cordset, M12, 4-pin, PUR cable