

VDM28 Series

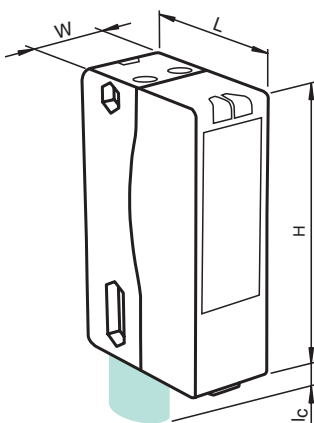


Standard Technical Data

Function principle	Distance sensor
Operating elements	Potentiometer, push-button
Voltage type	DC
Operating voltage (min)	10 V
Operating voltage (max)	30 V
Housing width W	25.8 mm
Housing height H	88 mm
UL	■

For detailed data and description, see the datasheet. Further products can be found online at www.pepperl-fuchs.com.

Model number	Detection range [mm]	Light type	Interface	Output type	Connection type	Length L	EAC
VDM28-8-L1-IO/110/115b/122	8000	Red laser diode	IO-Link	1 x push-pull	Fixed cable with M12 plug	54.6	
VDM28-8-L1-IO/115b/136	8000	Red laser diode	IO-Link	2 x push-pull	Fixed cable with M12 plug	54.6	
VDM28-8-L1-IO/33/110/115b/122	8000	Red laser diode	IO-Link	1 x push-pull	Fixed cable with M12 plug	54.6	
VDM28-8-L1-IO/73c/110/122	8000	Red laser diode	IO-Link	1 x push-pull	M12 connector plug	54.6	
VDM28-8-L1-IO/73c/136	8000	Red laser diode	IO-Link	2 x push-pull	M12 connector plug	54.6	
VDM28-8-L1-IR-IO/73C/110/122	8000	Infrared laser diode	IO-Link	1 x push-pull	M12 connector plug	54.6	
VDM28-8-L1/73c/136	8000	Red laser diode		2 x push-pull	M12 connector plug	54.3	
VDM28-15-L1-IO/110/115b/122	15000	Red laser diode	IO-Link	1 x push-pull	Fixed cable with M12 plug	54.6	
VDM28-15-L1-IO/73c/110/122	15000	Red laser diode	IO-Link	1 x push-pull	M12 connector plug	54.6	■
VDM28-15-L1/73c/136	15000	Red laser diode		2 x push-pull	M12 connector plug	54.3	
VDM28-50-R1-IO/73c/110/122	50000	Red laser diode	IO-Link	1 x push-pull	M12 connector plug	54.6	
VDM28-50-R1-IO/73c/136	50000	Red laser diode		2 x push-pull	M12 connector plug	54.6	
VDM28-50-R1-IR-IO/73c/110/122	50000	Infrared laser diode	IO-Link	1 x push-pull	M12 connector plug	54.6	
VDM28-50-R1/73c/136	50000	Red laser diode		2 x push-pull	M12 connector plug	54.6	



Accessories

IO-Link-Master02-USB	IO-Link master, supply via USB port or separate power supply, LED indicators, M12 plug for sensor connection
OFR-100/100	Optical reflective film, 100 mm x 100 mm
OMH-05	Mounting aid for circular profiles \varnothing 12 mm or flat profiles 1.5 mm ... 3 mm
OMH-07-01	Mounting aid for circular profiles \varnothing 12 mm or flat profiles 1.5 mm ... 3 mm
OMH-21	Mounting bracket
OMH-22	Mounting bracket
OMH-K01	Mounting clamp for sensors with dovetail groove
OMH-K03	Mounting clamp for sensors with dovetail groove
OMH-RL28-C	Protective cover for protection against welding beads
OMH-RLK29-HW	Mounting bracket for rear wall mounting