

# VariKont U10 Series

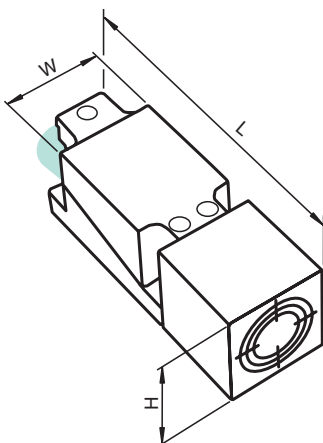


## Standard Technical Data

Output type	PNP
Voltage type	DC
Operating voltage (min)	10 V
Operating voltage (max)	30 V
Connection type	Terminal compartment
Housing length L	118 mm
Housing width W	40 mm
Housing height H	40 mm
UL	■

For detailed data and description, see the datasheet. Further products can be found online at [www.pepperl-fuchs.com](http://www.pepperl-fuchs.com).

Model number	Type of installation	Detection range [mm]	Output type	Switching function	Switching frequency [Hz]
NBB15-U10-A2	Flush	15	4-wire	Complementary	560
NBB15-U10-E2	Flush	15	3-wire	Normally-open (NO)	560
NBB20-U10-A2	Flush	20	4-wire	Complementary	440
NBB20-U10-E2	Flush	20	3-wire	Normally-open (NO)	440
NBN30-U10-E2	Non-flush	30	3-wire	Normally-open (NO)	230
NBN40-U10-E2	Non-flush	40	3-wire	Normally-open (NO)	180



## Accessories

MH 04-2681F	Mounting aid for VariKont, +U1+, and +U9+ sensors
MHW 01	Modular mounting bracket
V1-M20-80	Receptacle, M12/M20; plastic version