



# VariKont U2 Series

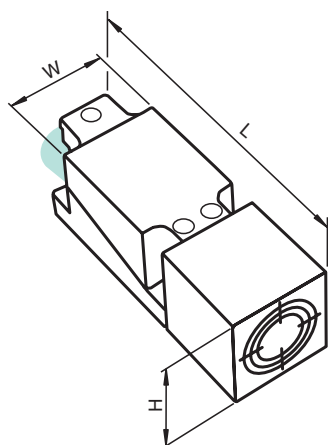


### Standard Technical Data

Connection type	Terminal compartment
Housing length L	118 mm
Housing width W	40 mm
Housing height H	40 mm
UL	■

For detailed data and description, see the datasheet. Further products can be found online at [www.pepperl-fuchs.com](http://www.pepperl-fuchs.com).

Model number	Type of installation	Detection range [mm]	Output type	Output type	Switching function	Voltage type	Switching frequency [Hz]	UB (min)	UB (max)	CCC
NBB15-U2-A0	Flush	15	4-wire	NPN	Complementary	DC	560	10	30	
NBB20-U2-A0	Flush	20	4-wire	NPN	Complementary	DC	440	10	30	
NBB20-U2-A2	Flush	20	4-wire	PNP	Complementary	DC	440	10	30	
NBB20-U2-E0	Flush	20	3-wire	NPN	Normally-open (NO)	DC	440	10	30	
NBB20-U2-E2	Flush	20	3-wire	PNP	Normally-open (NO)	DC	440	10	30	
NBB20-U2-UU	Flush	20	2-wire	2-wire	Normally open/close selectable	AC/DC	100	20	300	■
NBN30-U2-A2	Non-flush	30	4-wire	PNP	Complementary	DC	150	10	30	
NBN40-U2-A2	Non-flush	40	4-wire	PNP	Complementary	DC	180	10	30	
NBN40-U2-E2	Non-flush	40	3-wire	PNP	Normally-open (NO)	DC	180	10	30	
NBN40-U2-UU	Non-flush	40	2-wire	2-wire	Normally open/close selectable	AC/DC	100	20	300	■



### Accessories

MH 04-2681F	Mounting aid for VariKont, +U1+, and +U9* sensors
MHW 01	Modular mounting bracket