

7/8" Field-attachable female connector



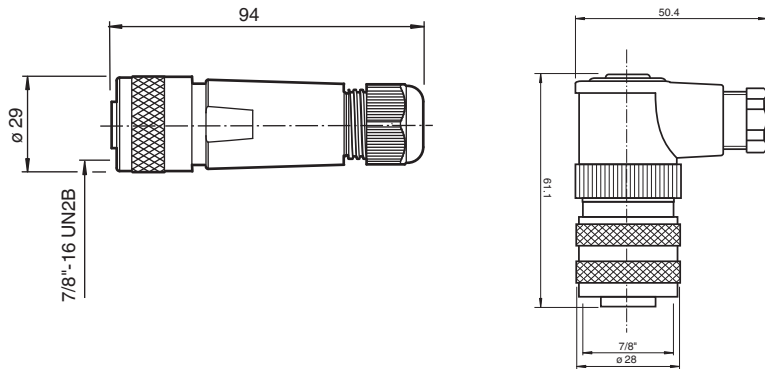
Technical data

Number of pins	3	4	5
Electrical data			
Operating voltage U_B	Max. 600 V AC/DC		
Operating current	Max. 18 A	Max. 15 A	Max. 12 A
Ambient conditions			
Ambient temperature	-40 ... 90 °C		
Degree of pollution	3		
Mechanical data			
Connection	1 x 7/8" socket Screw terminals < 2.0 mm ²		
Degree of protection	IP67		
Materials			
Contacts	CuZn		
Contact surface	Au		
Body	PA		
Coupling nut	Al, anodized		
Cable			
Cable diameter	5 ... 13 mm		

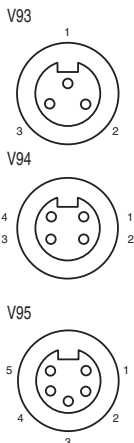
Features

- Gold-plated contacts

Dimensions



Electrical connection



Order codes

