



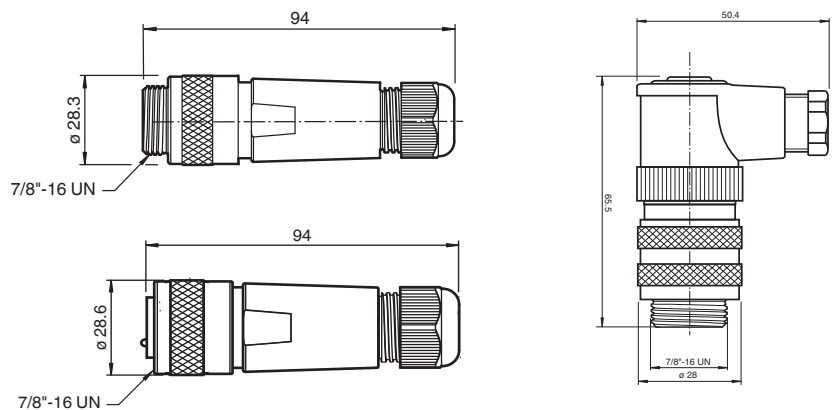
## Features

- Gold-plated contacts

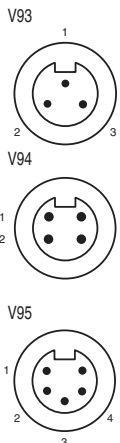
## Technical data

Number of pins	3	4	5
<b>Electrical data</b>			
Operating voltage $U_b$	Max. 600 V AC/DC		
Operating current	Max. 18 A	Max. 15 A	Max. 12 A
<b>Ambient conditions</b>			
Ambient temperature	-40 ... 90 °C		
Degree of pollution	3		
<b>Mechanical data</b>			
Connection	1 x 7/8" plug, internal or external thread Screw terminals < 2.0 mm <sup>2</sup> PG9 cable gland		
Degree of protection	IP67		
<b>Materials</b>			
Contacts	CuZn		
Contact surface	Au		
Body	PA		
Coupling nut	Al, anodized		
<b>Cable</b>			
Cable diameter	5 ... 13 mm		

## Dimensions



## Electrical connection



## Order codes

