

Sensor-actuator cable



Field-attachable connectors

Features

- Transfer characteristics in accordance with CAT5 (IEC 11801:2002)
- Insulation displacement connection technology
- Push-pull: protection to IP67

Junction blocks

Sensor-actuator splitters

Electrical connection

V45



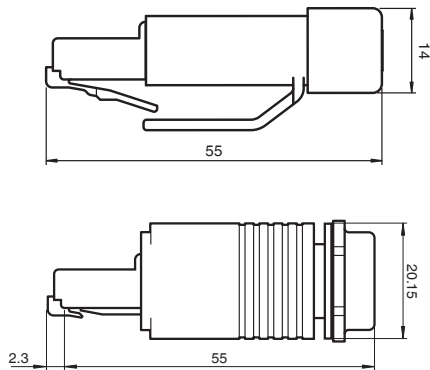
Sensor-actuator receptacles

Data connectors

Technical data

Design	Standard	Push-pull
Number of pins	4	
Electrical data		
Operating voltage _{UB}	Max. 60 V	
Ambient conditions		
Ambient temperature	-40 ... 70 °C	
Mechanical data		
Connection	RJ-45 category 5, up to 100 MHz Insulation displacement connection 0.25 ... 0.34 mm ²	
Degree of protection	IP20	IP65/IP67
Materials		
Housing	PUR	
Contacts	Ni/Au	
Cable		
Cable diameter	6.1 ... 6.9 mm	6.5 ... 7.2 mm

Dimensions



Order codes

V 4 5 - G .

Design
- Standard
P Push-pull

V45

- Standard, available in stock
- Available, minimum order quantity applies in some cases
- Combination not available