

# F9 Series

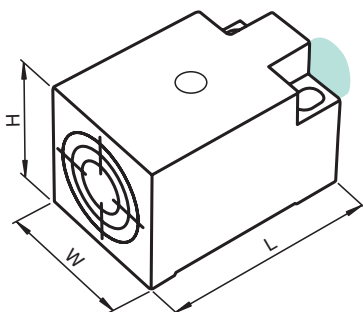


### Standard Technical Data

Type of installation	Flush
Detection range	5 mm
Output type	3-wire
Switching function	Normally-open (NO)
Voltage type	DC
Switching frequency	500 Hz
Operating voltage (min)	10 V
Operating voltage (max)	30 V
Housing length L	38.5 mm
Housing width W	16 mm
Housing height H	16.5 mm
CSA	■
UL	■

For detailed data and description, see the datasheet. Further products can be found online at [www.pepperl-fuchs.com](http://www.pepperl-fuchs.com).

Model number	Output type	Connection type	Cable length [mm]	Cable material
NBB5-F9-E0	NPN	Fixed cable	2000	PVC
NBB5-F9-E0-V3	NPN	8 mm connector plug		
NBB5-F9-E2	PNP	Fixed cable	2000	PVC
NBB5-F9-E2-V3	PNP	8 mm connector plug		



### Accessories

V3-WM-2M-PUR	Single-ended female cordset, M8, 3-pin, PUR cable
--------------	---