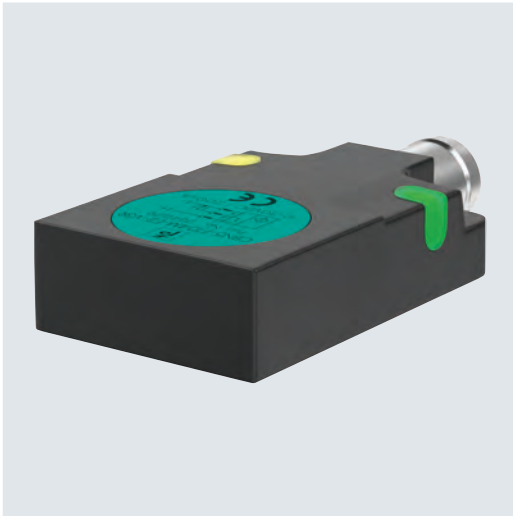


F104 Series

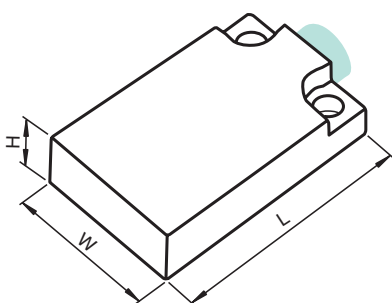


Standard Technical Data

| | |
|-------------------------|--------------------|
| Type of installation | Non-flush |
| Detection range | 5 mm |
| Output type | 3-wire |
| Output type | PNP |
| Switching function | Normally-open (NO) |
| Voltage type | DC |
| Switching frequency | 100 Hz |
| Operating voltage (min) | 10 V |
| Operating voltage (max) | 30 V |
| Housing length L | 32 mm |
| Housing width W | 20 mm |
| Housing height H | 8 mm |
| UL | ■ |

For detailed data and description, see the datasheet. Further products can be found online at www.pepperl-fuchs.com.

| Model number | Connection type | Cable length [mm] | Cable material |
|-------------------|---------------------|-------------------|----------------|
| CBN5-F104M-E2 | Fixed cable | 2000 | PUR |
| CBN5-F104M-E2-V3R | 8 mm connector plug | | |



Accessories

| | |
|--------------|--|
| V3-WR-2M-PUR | Single-ended female cordset, M8 snap-locking, 3-pin, PUR cable |
|--------------|--|