



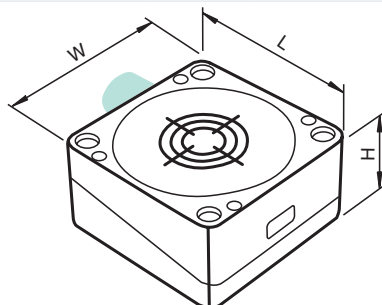
FP Series



Standard Technical Data	
CSA	■
UL	■

For detailed data and description, see the datasheet. Further products can be found online at www.pepperl-fuchs.com.

Model number	Type of installation	Detection range [mm]	Output type	Output type	Switching function	Voltage type	Switching frequency [Hz]	UB (min)	UB (max)	Connection type	Length L	Width W	Height H	CCC	EAC
NCB40-FP-A2-P1	Flush	40	4-wire	PNP	Complementary	DC	80	10	60	Terminal compartment	80	80	40	■	
NCB40-FP-A2-P1-V1	Flush	40	4-wire	PNP	Complementary	DC	80	10	60	M12 connector plug	80	80	40	■	
NCB40-FP-A2-P4-V1	Flush	40	4-wire	PNP	Complementary	DC	80	10	60	M12 connector plug	80	80	40	■	
NCB40-FP-W-P1	Flush	40	2-wire	2-wire	Normally open/close selectable	AC	20	20	253	Terminal compartment	80	80	40	■	
NCB40-FP-Z2-P1	Flush	40	2-wire	2-wire	Normally open/close selectable	DC	50	10	60	Terminal compartment	84	84	40	■	
NCB50-FP-A2-P1	Flush	50	4-wire	PNP	Complementary	DC	80	10	60	Terminal compartment	84	84	40	■	
NCB50-FP-A2-P1-V1	Flush	50	4-wire	PNP	Complementary	DC	80	10	60	M12 connector plug	84	84	40	■	
NCB50-FP-A2-P4-V1	Flush	50	4-wire	PNP	Complementary	DC	80	10	60	M12 connector plug	84	84	40		
NCB50-FP-E2-P1	Flush	50	3-wire	PNP	Normally-open (NO)	DC	80	10	60	Terminal compartment	84	84	40	■	■
NCB50-FP-E2-P1-V1	Flush	50	3-wire	PNP	Normally-open (NO)	DC	80	10	60	M12 connector plug	84	84	40	■	■
NCB50-FP-E2-P4	Flush	50	3-wire	PNP	Normally-open (NO)	DC	80	10	60	Terminal compartment	84	84	40	■	
NCB50-FP-E2-P4-V1	Flush	50	3-wire	PNP	Normally-open (NO)	DC	80	10	60	M12 connector plug	84	84	40	■	
NCB50-FP-Z2-P1	Flush	50	2-wire	2-wire	Normally open/close selectable	DC	80	10	60	Terminal compartment	84	84	40	■	
NCB50-FP-Z4-V1	Flush	50	2-wire	2-wire	Normally-open (NO)	DC	80	10	60	M12 connector plug	84	84	40	■	
NCB50-FP-Z5-V1	Flush	50	2-wire	2-wire	Normally-closed (NC)	DC	80	10	60	M12 connector plug	84	84	40		
NCN50-FP-A2-P1	Non-flush	50	4-wire	PNP	Complementary	DC	80	10	60	Terminal compartment	80	80	40	■	■
NCN50-FP-A2-P1-V1	Non-flush	50	4-wire	PNP	Complementary	DC	80	10	60	M12 connector plug	80	80	40	■	
NCN50-FP-A2-P4	Non-flush	50	4-wire	PNP	Complementary	DC	80	10	60	Terminal compartment	80	80	40	■	
NCN50-FP-W-P1	Non-flush	50	2-wire	2-wire	Normally open/close selectable	AC	20	20	253	Terminal compartment	80	80	40	■	
NCN50-FP-W-P4	Non-flush	50	2-wire	Two-wire	Normally open/close selectable	AC	20	20	253	Terminal compartment	80	80	40	■	
NCN50-FP-Z2-P1	Non-flush	50	2-wire	2-wire	Normally open/close selectable	DC	80	10	60	Terminal compartment	80	80	40	■	
NCN50-FP-Z2-P4	Non-flush	50	2-wire	2-wire	Normally open/close selectable	DC	80	10	60	Terminal compartment	40	80	80		
NCN50-FP-Z4-V1	Non-flush	50	2-wire	2-wire	Normally-open (NO)	DC	80	10	60	M12 connector plug	80	80	40	■	
NJ40P-FP-A2-P1	Non-flush	40	4-wire	PNP	Complementary	DC	150	10	30	Terminal compartment	80	80	40		
NJ50-FP-A-P1	Non-flush	50	4-wire	NPN	Complementary	DC	100	10	30	Terminal compartment	80	80	40		
NJ50-FP-E-P1	Non-flush	50	3-wire	NPN	Normally-open (NO)	DC	100	10	30	Terminal compartment	80	80	40		
NJ60-FP-E2-P2	Non-flush	60	3-wire	PNP	Normally-open (NO)	DC	20	10	30	Terminal compartment	80	80	40		



Accessories	
V1-G-2M-PUR	Single-ended female cordset, M12, 4-pin, PUR cable
V1-W-2M-PUR	Single-ended female cordset, M12, 4-pin, PUR cable