

R103 Series Diffuse Mode Sensors

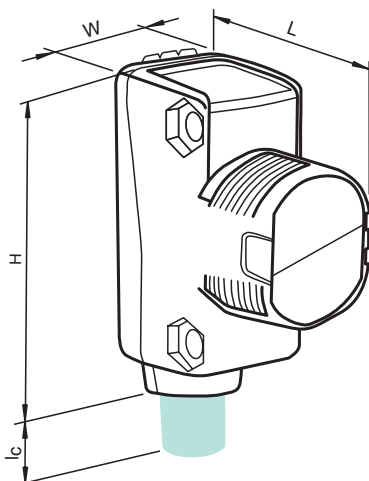


Standard Technical Data	
Interface	IO-Link
Voltage type	DC
Operating voltage (min)	10 V
Operating voltage (max)	30 V
Housing length L	26.7 mm
Housing width W	15 mm
UL	■

For detailed data and description, see the datasheet. Further products can be found online at www.pepperl-fuchs.com.

Model number	Function principle	Detection range [mm]	Light type	Operating elements	Output type	Connection type	Height H
OBT80-R103-2EP-IO-0,3M-V1-1T-L	With background evaluation	80	Red laser diode	Potentiometer	2 x push-pull	Fixed cable with M12 plug	36.5
OBT80-R103-2EP-IO-0,3M-V1-L	With background suppression	80	Red laser diode	Potentiometer	2 x push-pull	Fixed cable with M12 plug	36.5
OBT80-R103-2EP-IO-0,3M-V31-L	With background suppression	80	Red laser diode	Potentiometer	2 x push-pull	Fixed cable with M8 plug	36.5
OBT80-R103-2EP-IO-1T-L	With background evaluation	80	Red laser diode	Potentiometer	2 x push-pull	Fixed cable	36.5
OBT80-R103-2EP-IO-1T-L-Y0351	With background evaluation	80	Red laser diode	Potentiometer	2 x push-pull	Fixed cable with M8 plug	36.5
OBT80-R103-2EP-IO-L	With background suppression	80	Red laser diode	Potentiometer	2 x push-pull	Fixed cable	36.5
OBT80-R103-2EP-IO-V31-1T-L	With background evaluation	80	Red laser diode	Potentiometer	2 x push-pull	M8 connector plug	43.9
OBT80-R103-2EP-IO-V31-L	With background suppression	80	Red laser diode	Potentiometer	2 x push-pull	M8 connector plug	43.9
OBT80-R103-EP-IO-0,3M-V3-1T-L	With background evaluation	80	Red laser diode	Potentiometer	1 x push-pull	Fixed cable with M8 plug	36.5
OBT80-R103-EP-IO-0,3M-V3-L	With background suppression	80	Red laser diode	Potentiometer	1 x push-pull	Fixed cable with M8 plug	36.5
OBT80-R103-EP-IO-V3-1T-L	With background evaluation	80	Red laser diode	Potentiometer	1 x push-pull	M8 connector plug	43.9
OBT80-R103-EP-IO-V3-L	With background suppression	80	Red laser diode	Potentiometer	1 x push-pull	M8 connector plug	43.9
OQT120-R103-2EP-IO	With multiple switch points	120	Red LED	Potentiometer, push-button	2 x push-pull	Fixed cable	36.5
OQT120-R103-2EP-IO-0,3M-V1	With multiple switch points	120	Red LED	Potentiometer, push-button	2 x push-pull	Fixed cable with M12 plug	36.5
OQT120-R103-2EP-IO-0,3M-V1-L	With multiple switch points	120	Red laser diode	Potentiometer, push-button	2 x push-pull	Fixed cable with M12 plug	36.5
OQT120-R103-2EP-IO-0,3M-V31	With multiple switch points	120	Red LED	Potentiometer, push-button	2 x push-pull	Fixed cable with M8 plug	36.5
OQT120-R103-2EP-IO-0,3M-V31-L	With multiple switch points	120	Red laser diode	Potentiometer, push-button	2 x push-pull	Fixed cable with M8 plug	36.5
OQT120-R103-2EP-IO-L	With multiple switch points	120	Red laser diode	Potentiometer, push-button	2 x push-pull	Fixed cable	36.5
OQT120-R103-2EP-IO-V31	With multiple switch points	120	Red LED	Potentiometer, push-button	2 x push-pull	M8 connector plug	43.9
OQT120-R103-2EP-IO-V31-L	With multiple switch points	120	Red laser diode	Potentiometer, push-button	2 x push-pull	M8 connector plug	43.9
OQT120-R103-EP-IO-0,3M-V3	With multiple switch points	120	Red LED	Potentiometer, push-button	1 x push-pull	Fixed cable with M8 plug	36.5
OQT120-R103-EP-IO-0,3M-V3-L	With multiple switch points	120	Red laser diode	Potentiometer, push-button	1 x push-pull	Fixed cable with M8 plug	36.5
OQT120-R103-EP-IO-V3	With multiple switch points	120	Red LED	Potentiometer, push-button	1 x push-pull	M8 connector plug	43.9
OQT120-R103-EP-IO-V3-L	With multiple switch points	120	Red laser diode	Potentiometer, push-button	1 x push-pull	M8 connector plug	43.9
OBT250-R103-2EP-IO-0,3M-V1-L	With background suppression	250	Red laser diode	Potentiometer	2 x push-pull	Fixed cable with M12 plug	36.5
OBT250-R103-2EP-IO-0,3M-V31-L	With background suppression	250	Red laser diode	Potentiometer	2 x push-pull	Fixed cable with M8 plug	36.5
OBT250-R103-2EP-IO-1T-L	With background evaluation	250	Red laser diode	Potentiometer	2 x push-pull	Fixed cable	36.5
OBT250-R103-2EP-IO-1T-L-Y0329	With background evaluation	250	Red laser diode	Potentiometer	2 x push-pull	Fixed cable with M8 plug	36.5
OBT250-R103-2EP-IO-1T-L-Y0330	With background evaluation	250	Red laser diode	Potentiometer	2 x push-pull	Fixed cable with M12 plug	36.5
OBT250-R103-2EP-IO-L	With background suppression	250	Red laser diode	Potentiometer	2 x push-pull	Fixed cable	36.5
OBT250-R103-2EP-IO-V31-1T-L	With background evaluation	250	Red laser diode	Potentiometer	2 x push-pull	M8 connector plug	43.9
OBT250-R103-2EP-IO-V31-L	With background suppression	250	Red laser diode	Potentiometer	2 x push-pull	M8 connector plug	43.9

Model number	Function principle	Detection range [mm]	Light type	Operating elements	Output type	Connection type	Height H
OBT250-R103-EP-IO-0,3M-V3-1T-L	With background evaluation	250	Red laser diode	Potentiometer	1 x push-pull	Fixed cable with M8 plug	36.5
OBT250-R103-EP-IO-0,3M-V3-L	With background suppression	250	Red laser diode	Potentiometer	1 x push-pull	Fixed cable with M8 plug	36.5
OBT250-R103-EP-IO-V3-1T-L	With background evaluation	250	Red laser diode	Potentiometer	1 x push-pull	M8 connector plug	43.9
OBT250-R103-EP-IO-V3-L	With background suppression	250	Red laser diode	Potentiometer	1 x push-pull	M8 connector plug	43.9
OBT300-R103-2EP-IO	With background suppression	300	Red LED	Potentiometer	2 x push-pull	Fixed cable	36.5
OBT300-R103-2EP-IO-0,3M-V1	With background suppression	300	Red LED	Potentiometer	2 x push-pull	Fixed cable with M12 plug	36.5
OBT300-R103-2EP-IO-0,3M-V1-1T	With background evaluation	300	Red LED	Potentiometer	2 x push-pull	Fixed cable with M12 plug	36.5
OBT300-R103-2EP-IO-0,3M-V31	With background suppression	300	Red LED	Potentiometer	2 x push-pull	Fixed cable with M8 plug	36.5
OBT300-R103-2EP-IO-0,3M-V31-1T	With background evaluation	300	Red LED	Potentiometer	2 x push-pull	Fixed cable with M8 plug	36.5
OBT300-R103-2EP-IO-1T	With background evaluation	300	Red LED	Potentiometer	2 x push-pull	Fixed cable	36.5
OBT300-R103-2EP-IO-V31	With background suppression	300	Red LED	Potentiometer	2 x push-pull	M8 connector plug	43.9
OBT300-R103-2EP-IO-V31-1T	With background evaluation	300	Red LED	Potentiometer	2 x push-pull	M8 connector plug	43.9
OBT300-R103-2EP1-IO-0,3M-V1	With background suppression	300	Red LED	Potentiometer	2 x push-pull	Fixed cable with M12 plug	36.5
OBT300-R103-EP-IO-0,3M-V3	With background suppression	300	Red LED	Potentiometer	1 x push-pull	Fixed cable with M8 plug	36.5
OBT300-R103-EP-IO-0,3M-V3-1T	With background evaluation	300	Red LED	Potentiometer	1 x push-pull	Fixed cable with M8 plug	36.5
OBT300-R103-EP-IO-V3	With background suppression	300	Red LED	Potentiometer	1 x push-pull	M8 connector plug	43.9
OBT300-R103-EP-IO-V3-1T	With background evaluation	300	Red LED	Potentiometer	1 x push-pull	M8 connector plug	43.9
OBD800-R103-2EP-IO	Energetic	800	Red LED	Potentiometer	2 x push-pull	Fixed cable	36.5
OBD800-R103-2EP-IO-0,3M-V1	Energetic	800	Red LED	Potentiometer	2 x push-pull	Fixed cable with M12 plug	36.5
OBD800-R103-2EP-IO-0,3M-V31	Energetic	800	Red LED	Potentiometer	2 x push-pull	Fixed cable with M8 plug	36.5
OBD800-R103-2EP-IO-V31	Energetic	800	Red LED	Potentiometer	2 x push-pull	M8 connector plug	43.9
OBD800-R103-EP-IO-0,3M-V3	Energetic	800	Red LED	Potentiometer	1 x push-pull	Fixed cable with M8 plug	36.5
OBD800-R103-EP-IO-V3	Energetic	800	Red LED	Potentiometer	1 x push-pull	M8 connector plug	43.9



Accessories	
IO-Link-Master02-USB	IO-Link master, power supply via USB port
OMH-ML100-03	Mounting aid for circular profile \varnothing 12 mm or flat profile 1.5 mm ... 3 mm
OMH-ML100-031	Mounting aid for circular profile \varnothing 10 mm ... 14 mm or flat profile 1 mm ... 5 mm
OMH-ML100-09	Mounting aid for circular profile \varnothing 12 mm or flat profile 1.5 mm ... 3 mm
OMH-R103-01	Mounting bracket
OMH-R10X-01	Mounting bracket
OMH-R10X-04	Mounting bracket
OMH-R10X-10	Mounting bracket
REF-H50	Rectangular reflector, 51 mm x 61 mm, mounting holes, retaining tab
V1-G-2M-PUR	Single-ended female cordset, M12, 4-pin, PUR cable