

## R200 Series



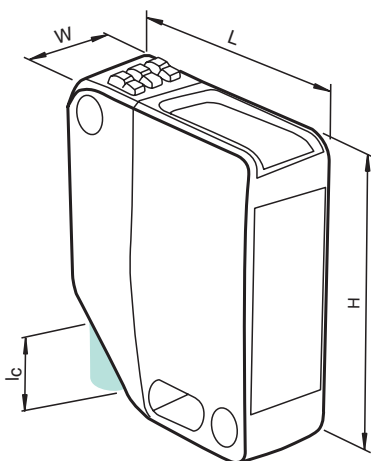
### Standard Technical Data

<b>Function principle</b>	Distance sensor
<b>Interface</b>	IO-Link
<b>Operating elements</b>	Potentiometer, push-button
<b>Voltage type</b>	DC
<b>Operating voltage (max)</b>	30 V
<b>Housing length L</b>	41.7 mm
<b>Housing width W</b>	15 mm
<b>Housing height H</b>	50.6 mm
<b>UL</b>	

For detailed data and description, see the datasheet. Further products can be found online at [www.pepperl-fuchs.com](http://www.pepperl-fuchs.com).

Model number	Detection range [mm]	Light type	Output type	UB (min)	Connection type
OMT300-R200-2EP-IO	300	Red LED	2 x push-pull	10	Fixed cable
OMT300-R200-2EP-IO-0,3M-V1	300	Red LED	2 x push-pull	10	Fixed cable with M12 plug
OMT300-R200-2EP-IO-0,3M-V1-L	300	Red laser diode	2 x push-pull	10	Fixed cable with M12 plug
OMT300-R200-2EP-IO-0,3M-V31	300	Red LED	2 x push-pull	10	Fixed cable with M8 plug
OMT300-R200-2EP-IO-0,3M-V31-L	300	Red laser diode	2 x push-pull	10	Fixed cable with M8 plug
OMT300-R200-2EP-IO-L	300	Red laser diode	2 x push-pull	10	Fixed cable
OMT300-R200-2EP-IO-V1	300	Red LED	2 x push-pull	10	M12 connector plug
OMT300-R200-2EP-IO-V1-L	300	Red laser diode	2 x push-pull	10	M12 connector plug
OMT300-R200-2EP-IO-V31	300	Red LED	2 x push-pull	10	M8 connector plug
OMT300-R200-2EP-IO-V31-L	300	Red laser diode	2 x push-pull	10	M8 connector plug
OMT300-R200-EP-IO-0,3M-V3	300	Red LED	1 x push-pull	10	Fixed cable with M8 plug
OMT300-R200-EP-IO-0,3M-V3-L	300	Red laser diode	1 x push-pull	10	Fixed cable with M8 plug
OMT300-R200-EP-IO-V3	300	Red LED	1 x push-pull	10	M8 connector plug
OMT300-R200-EP-IO-V3-L	300	Red laser diode	1 x push-pull	10	M8 connector plug
OMT300-R200-IEP-IO-0,3M-V1	300	Red LED	1 x push-pull, 1 x analog	18	Fixed cable with M12 plug
OMT300-R200-IEP-IO-0,3M-V1-L	300	Red laser diode	1 x push-pull, 1 x analog	18	Fixed cable with M12 plug
OMT300-R200-IEP-IO-0,3M-V31	300	Red LED	1 x push-pull, 1 x analog	18	Fixed cable with M8 plug
OMT300-R200-IEP-IO-0,3M-V31-L	300	Red laser diode	1 x push-pull, 1 x analog	18	Fixed cable with M8 plug
OMT300-R200-IEP-IO-V1	300	Red LED	1 x push-pull, 1 x analog	18	M12 connector plug
OMT300-R200-IEP-IO-V1-L	300	Red laser diode	1 x push-pull, 1 x analog	18	M12 connector plug
OMT300-R200-IEP-IO-V31	300	Red LED	1 x push-pull, 1 x analog	18	M8 connector plug
OMT300-R200-IEP-IO-V31-L	300	Red laser diode	1 x push-pull, 1 x analog	18	M8 connector plug
OMT300-R200-UEP-IO-0,3M-V1	300	Red LED	1 x push-pull, 1 x analog	18	Fixed cable with M12 plug
OMT300-R200-UEP-IO-0,3M-V1-L	300	Red laser diode	1 x push-pull, 1 x analog	18	Fixed cable with M12 plug
OMT300-R200-UEP-IO-0,3M-V31	300	Red LED	1 x push-pull, 1 x analog	18	Fixed cable with M8 plug
OMT300-R200-UEP-IO-0,3M-V31-L	300	Red laser diode	1 x push-pull, 1 x analog	18	Fixed cable with M8 plug
OMT300-R200-UEP-IO-V1	300	Red LED	1 x push-pull, 1 x analog	18	M12 connector plug
OMT300-R200-UEP-IO-V1-L	300	Red laser diode	1 x push-pull, 1 x analog	18	M12 connector plug
OMT300-R200-UEP-IO-V31	300	Red LED	1 x push-pull, 1 x analog	18	M8 connector plug
OMT300-R200-UEP-IO-V31-L	300	Red laser diode	1 x push-pull, 1 x analog	18	M8 connector plug
OMT550-R200-2EP-IO	550	Red LED	2 x push-pull	10	Fixed cable
OMT550-R200-2EP-IO-0,3M-V1	550	Red LED	2 x push-pull	10	Fixed cable with M12 plug
OMT550-R200-2EP-IO-0,3M-V31	550	Red LED	2 x push-pull	10	Fixed cable with M8 plug
OMT550-R200-2EP-IO-V1	550	Red LED	2 x push-pull	10	M12 connector plug
OMT550-R200-2EP-IO-V31	550	Red LED	2 x push-pull	10	M8 connector plug
OMT550-R200-EP-IO-0,3M-V3	550	Red LED	1 x push-pull	10	Fixed cable with M8 plug
OMT550-R200-EP-IO-V3	550	Red LED	1 x push-pull	10	M8 connector plug
OMT550-R200-IEP-IO-0,3M-V1	550	Red LED	1 x push-pull, 1 x analog	18	Fixed cable with M12 plug
OMT550-R200-IEP-IO-0,3M-V31	550	Red LED	1 x push-pull, 1 x analog	18	Fixed cable with M8 plug
OMT550-R200-IEP-IO-V1	550	Red LED	1 x push-pull, 1 x analog	18	M12 connector plug

Model number	Detection range [mm]	Light type	Output type	UB (min)	Connection type
OMT550-R200-IEP-IO-V31	550	Red LED	1 x push-pull, 1 x analog	18	M8 connector plug
OMT550-R200-UEP-IO-0,3M-V1	550	Red LED	1 x push-pull, 1 x analog	18	Fixed cable with M12 plug
OMT550-R200-UEP-IO-0,3M-V31	550	Red LED	1 x push-pull, 1 x analog	18	Fixed cable with M8 plug
OMT550-R200-UEP-IO-V1	550	Red LED	1 x push-pull, 1 x analog	18	M12 connector plug
OMT550-R200-UEP-IO-V31	550	Red LED	1 x push-pull, 1 x analog	18	M8 connector plug
OMT600-R200-2EP-IO-0,3M-V1-L	600	Red laser diode	2 x push-pull	10	Fixed cable with M12 plug
OMT600-R200-2EP-IO-0,3M-V31-L	600	Red laser diode	2 x push-pull	10	Fixed cable with M8 plug
OMT600-R200-2EP-IO-L	600	Red laser diode	2 x push-pull	10	Fixed cable
OMT600-R200-2EP-IO-V1-L	600	Red laser diode	2 x push-pull	10	M12 connector plug
OMT600-R200-2EP-IO-V31-L	600	Red laser diode	2 x push-pull	10	M8 connector plug
OMT600-R200-EP-IO-0,3M-V3-L	600	Red laser diode	1 x push-pull	10	Fixed cable with M8 plug
OMT600-R200-EP-IO-V3-L	600	Red laser diode	1 x push-pull	10	M8 connector plug
OMT600-R200-IEP-IO-0,3M-V1-L	600	Red laser diode	1 x push-pull, 1 x analog	18	Fixed cable with M12 plug
OMT600-R200-IEP-IO-0,3M-V31-L	600	Red laser diode	1 x push-pull, 1 x analog	18	Fixed cable with M8 plug
OMT600-R200-IEP-IO-V1-L	600	Red laser diode	1 x push-pull, 1 x analog	18	M12 connector plug
OMT600-R200-IEP-IO-V31-L	600	Red laser diode	1 x push-pull, 1 x analog	18	M8 connector plug
OMT600-R200-UEP-IO-0,3M-V1-L	600	Red laser diode	1 x push-pull, 1 x analog	18	Fixed cable with M12 plug
OMT600-R200-UEP-IO-0,3M-V31-L	600	Red laser diode	1 x push-pull, 1 x analog	18	Fixed cable with M8 plug
OMT600-R200-UEP-IO-V1-L	600	Red laser diode	1 x push-pull, 1 x analog	18	M12 connector plug
OMT600-R200-UEP-IO-V31-L	600	Red laser diode	1 x push-pull, 1 x analog	18	M8 connector plug



#### Accessories

<b>IO-Link-Master02-USB</b>	IO-Link master, power supply via USB port
<b>OMH-MLV12-HWG</b>	Mounting bracket for MLV12 series sensors
<b>OMH-MLV12-HWK</b>	Mounting bracket for MLV12 series sensors
<b>OMH-R200-01</b>	Mounting aid for circular profiles $\varnothing$ 12 mm or flat profiles 1.5 mm ... 3 mm
<b>OMH-R20x-Quick-Mount</b>	Quick-mounting aid
<b>V1-W-2M-PUR</b>	Single-ended female cordset, M12, 4-pin, PUR cable
<b>V3-GM-2M-PUR</b>	Single-ended female cordset, M8, 3-pin, PUR cable
<b>V3-WM-2M-PUR</b>	Single-ended female cordset, M8, 3-pin, PUR cable
<b>V31-GM-2M-PUR</b>	Single-ended female cordset, M8, 4-pin, PUR cable
<b>V31-WM-2M-PUR</b>	Single-ended female cordset, M8, 4-pin, PUR cable