

VariKont Series

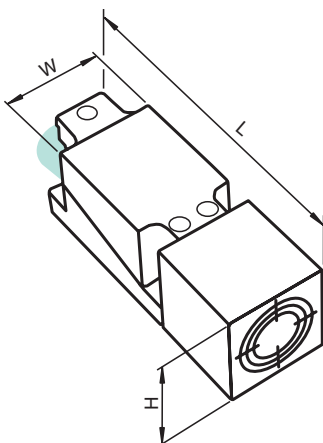


Standard Technical Data

Type of installation	Flush
Detection range	15 mm
Output type	4-wire
Output type	PNP
Switching function	Complementary
Voltage type	DC
Switching frequency	10 Hz
Operating voltage (min)	10 V
Operating voltage (max)	30 V
Connection type	Terminal compartment
Housing length L	118 mm
Housing width W	40 mm
Housing height H	40 mm
CSA	■
UL	■

For detailed data and description, see the datasheet. Further products can be found online at www.pepperl-fuchs.com.

Model number	
CJ15+U1+A2	
CJ15+U4+A2	



Accessories	
MHW 01	Modular mounting bracket